

**BALDOR® • RELIANCE** 

**Product Information Packet**

**EL11205**

**.33HP,3475RPM,1PH,60HZ,48,3413LC,ODP,F1**

Part Detail							
Revision:	G	Status:	PRD/A	Change #:		Proprietary:	No
Type:	AC	Elec. Spec:	34WGR144	CD Diagram:	CD0055	Mfg Plant:	
Mech. Spec:	34F351	Layout:	34LYF351	Poles:	02	Created Date:	03-05-2014
Base:	RG	Eff. Date:	06-19-2019	Leads:	6#18		

Specs			
Catalog Number:	EL11205	Inverter Code:	Not Inverter
Enclosure:	ODP	KVA Code:	H
Frame:	48	Lifting Lugs:	No Lifting Lugs
Frame Material:	Steel	Locked Bearing Indicator:	No Locked Bearing
Output @ Frequency:	.330 HP @ 60 HZ	Motor Lead Quantity/Wire Size:	6 @ 18 AWG
Synchronous Speed @ Frequency:	3600 RPM @ 60 HZ	Motor Lead Exit:	Ko Box
Voltage @ Frequency:	115.0 V @ 60 HZ	Motor Lead Termination:	Flying Leads
	230.0 V @ 60 HZ	Motor Type:	3413LC
XP Class and Group:	None	Mounting Arrangement:	F1
XP Division:	Not Applicable	Power Factor:	97
Agency Approvals:	UR	Product Family:	General Purpose
	CSA	Pulley End Bearing Type:	Ball
Auxillary Box:	No Auxillary Box	Pulley Face Code:	Standard
Auxillary Box Lead Termination:	None	Pulley Shaft Indicator:	Standard
Base Indicator:	Rigid	Rodent Screen:	None
Bearing Grease Type:	Polyrex EM (-20F +300F)	RoHS Status:	ROHS COMPLIANT
Blower:	None	Shaft Extension Location:	Pulley End
Current @ Voltage:	1.500 A @ 230.0 V	Shaft Ground Indicator:	No Shaft Grounding

	3.000 A @ 115.0 V	<b>Shaft Rotation:</b>	Reversible
<b>Design Code:</b>	N	<b>Shaft Slinger Indicator:</b>	No Slinger
<b>Drip Cover:</b>	No Drip Cover	<b>Speed Code:</b>	Single Speed
<b>Duty Rating:</b>	CONT	<b>Motor Standards:</b>	NEMA
<b>Electrically Isolated Bearing:</b>	Not Electrically Isolated	<b>Starting Method:</b>	Direct on line
<b>Feedback Device:</b>	NO FEEDBACK	<b>Thermal Device - Bearing:</b>	None
<b>Front Face Code:</b>	Standard	<b>Thermal Device - Winding:</b>	None
<b>Front Shaft Indicator:</b>	None	<b>Vibration Sensor Indicator:</b>	No Vibration Sensor
<b>Heater Indicator:</b>	No Heater	<b>Winding Thermal 1:</b>	None
<b>Insulation Class:</b>	F	<b>Winding Thermal 2:</b>	None

Nameplate NP3155L													
CAT.NO.	EL11205												
SPEC.	34F351R144G1												
HP	.33												
VOLTS	115/230												
AMP	3/1.5												
RPM	3475												
FRAME	48					HZ	60			PH	1		
SER.F.	1.35					CODE	H		DES	N		CL	F
F.L. AVG. EFF.	70.5					PF	97						
RATING	40C AMB-CONT												
CC												USABLE AT 208V	
DE	6203					ODE	6203						
ENCL	ODP					SN							
	SFA 3.9/1.95												

Parts List		
Part Number	Description	Quantity
SA277544	SA 34F351R144G1	1.000 EA
RA264094	RA 34F351R144G1	1.000 EA
OC3025F11	CYL OIL CAP 25MFD/370V	1.000 EA
EC4189A01	ELEC CAP, 189-227 MFD, 125V, 1.48D X 2.	1.000 EA
NS2512A01	INSULATOR, CONDUIT BOX X	1.000 EA
34CB3002A	CB CAST W/.88 DIA HOLE	1.000 EA
51XB1016A07	10-16 X 7/16 HXWSSLD SERTYB	2.000 EA
11XW1032G06	10-32 X .38, TAPTITE II, HEX WSHR SLTD U	1.000 EA
51XW0832A07	8-32 X .44, TAPTITE II, HEX WSHR SLTD SE	2.000 EA
SP1006A01	TERM. BOARD, MODE 35 SW X H-23655	1.000 EA
34EP3210A01SP	FR ENDPLATE, MACH	1.000 EA
34GS5003A01	FOAM SLEEVE, ID = 2 1/16" X 4 3/8"	2.000 EA
34CB3801	CAPACITOR BOX, DIE CAST	1.000 EA
51XB1214A08	12-14 X 1/2HX WS SL SR TYBX	2.000 EA
HW5100A03	WAVY WASHER (W1543-017)	1.000 EA
34EP3212A02	PU ENDPLATE, MODEL 34 OPEN	1.000 EA
XY1032A02	10-32 HEX NUT DIRECTIONAL SERRATION	4.000 EA
34CB4517	CB LID 4 MTG HOLES .22 DIA STAMPED, FOR	1.000 EA
51XW0832A07	8-32 X .44, TAPTITE II, HEX WSHR SLTD SE	4.000 EA
MG1000Y03	MUNSELL 2.53Y 6.70/ 4.60, GLOSS 20,	0.014 GA
85XU0407S04	4X1/4 U DRIVE PIN STAINLESS	2.000 EA
HA3100A44	THRUBOLT 10-32 X 8.000	4.000 EA
SP5056A18	34 TYPE LC STATIONARY SWITCH W/E, O, 8-R	1.000 EA
MN416A01	TAG-INSTAL-MAINT no wire (1200/bx) 3/19	1.000 EA

<b>Parts List (continued)</b>		
<b>Part Number</b>	<b>Description</b>	<b>Quantity</b>
LC0001A01	CONN LABEL / WARNING LABEL (LC0001 / LB1	1.000 EA
NP3155L	ALUM SUPER-E UL CSA CC "SEMS"	1.000 EA
35PA1000	PKG GRP, PRINT PK1008A06	1.000 EA

**AC Induction Motor Performance Data**

Record # 45445 - Typical performance - not guaranteed values

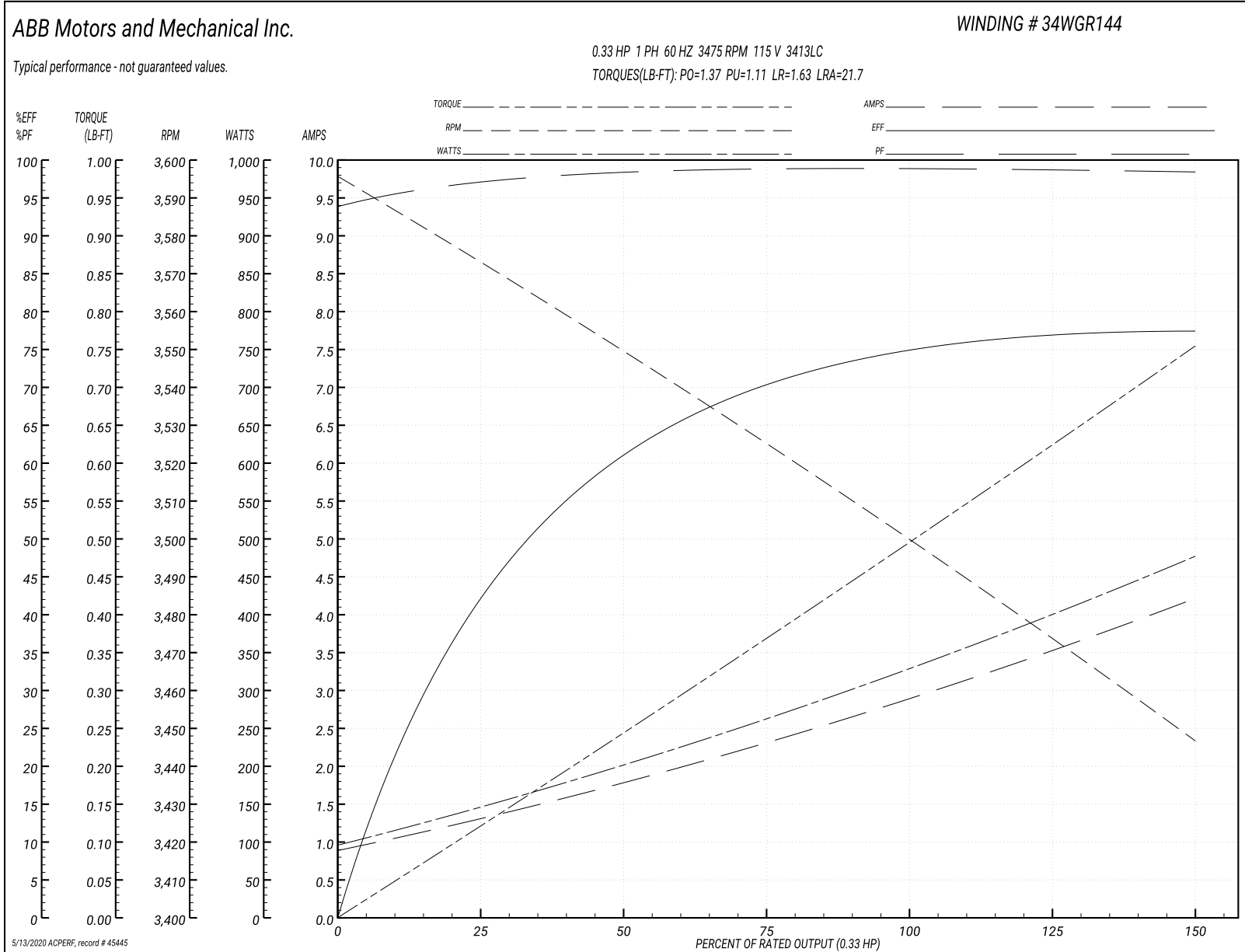
<b>Winding:</b> 34WGR144-R001	<b>Type:</b> 3413LC	<b>Enclosure:</b> OPEN
-------------------------------	---------------------	------------------------

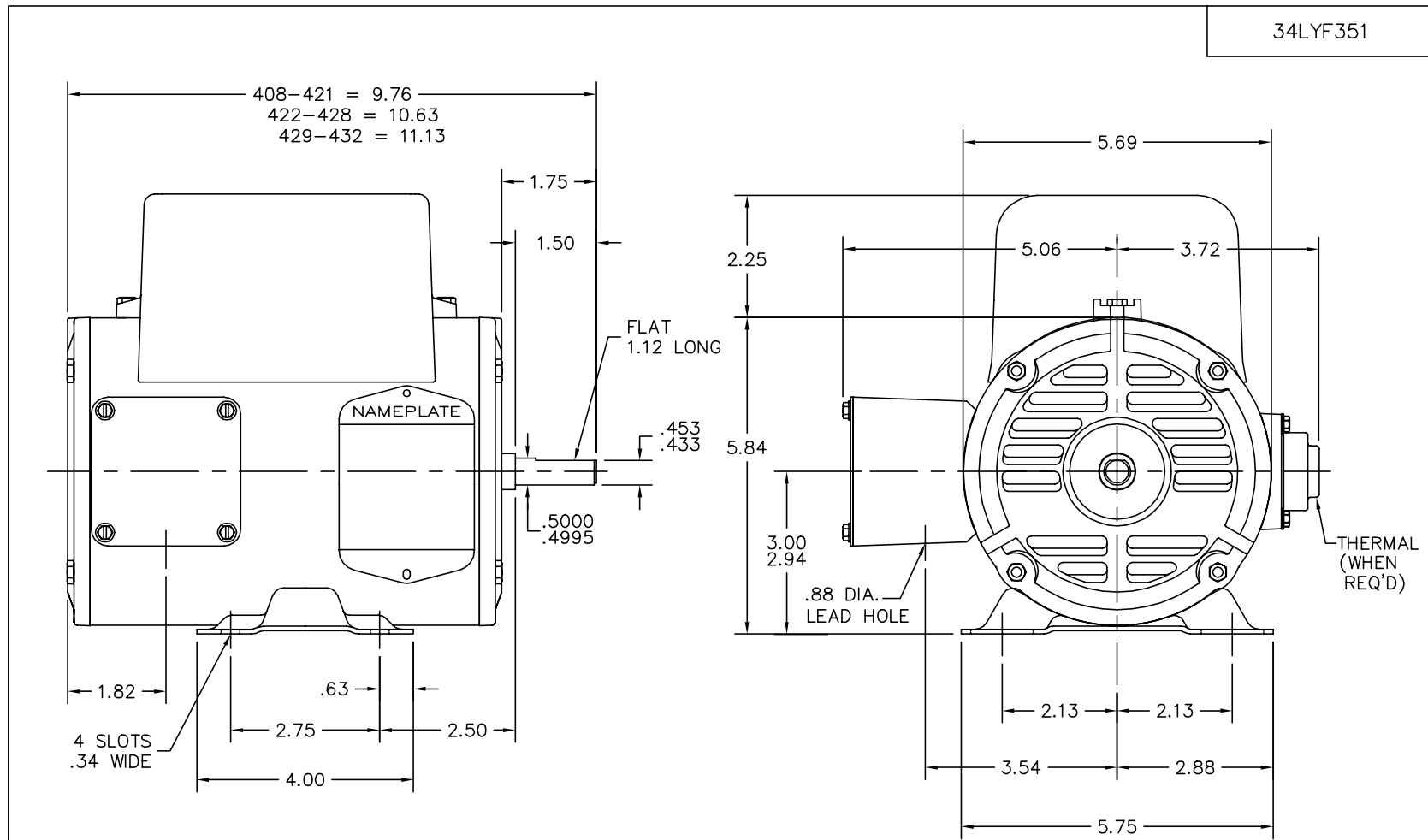
Nameplate Data				115 V, 60 Hz: Low Voltage Connection	
Rated Output (HP)	.33			Full Load Torque	0.495 LB-FT
Volts	115/230			Start Configuration	direct on line
Full Load Amps	3/1.5			Breakdown Torque	1.37 LB-FT
R.P.M.	3475			Pull-up Torque	1.11 LB-FT
Hz	60	Phase	1	Locked-rotor Torque	1.63 LB-FT
NEMA Design Code	N	KVA Code	H	Starting Current	21.7 A
Service Factor (S.F.)	1.35			No-load Current	0.91 A
NEMA Nom. Eff.	70.5	Power Factor	97	Line-line Res. @ 25°C	1.8711 Ω A Ph 3.6847 Ω B Ph
Rating - Duty	40C AMB-CONT			Temp. Rise @ Rated Load	14°C
S.F. Amps	3.9/1.95			Temp. Rise @ S.F. Load	17°C

Load Characteristics 115 V, 60 Hz, 0.33 HP

% of Rated Load	25	50	75	100	125	150	S.F.
Power Factor	97	98	98	99	99	98	99
Efficiency	43.3	61.5	70.3	74.5	76.4	77.7	76.9
Speed	3567.1	3549.9	3526.5	3501.3	3474.4	3445.4	3463
Line amperes	1.29	1.76	2.32	2.91	3.54	4.2	3.8

Performance Graph at 115V, 60Hz, 0.33HP Typical performance - Not guaranteed values





CUSTOMER IS RESPONSIBLE FOR DETERMINING THAT MOTOR PERFORMANCE IS SUITABLE IN THE APPLICATION.

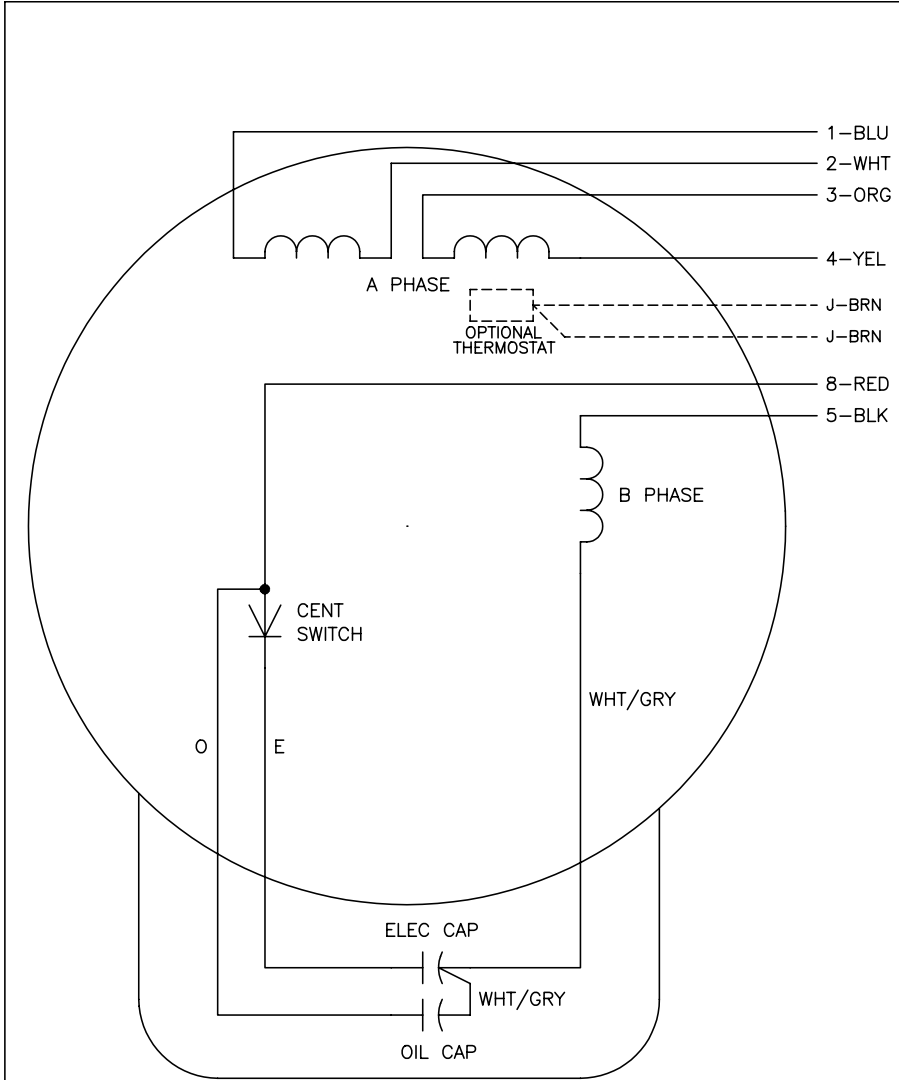
REV. DESC: DIM: KOBX LOC FROM ODE TO THE CENTERLINE OF KOBX			
REV. LTR: C	VERSION: 02	TDR: 000000386903	
	FILE: \AAA\00037\242	REVISED: 11:20:24 01/26/2006	
34LYF351	MTL: -	BY: ENMARW1	

**BALDOR ELECTRIC Co.**

STD HOR 34LC NEMA 48 OPEN

34LYF351

CD0055



	LINE A	LINE B	JOIN
HIGH STD	1	4,5	2,3,8
HIGH OPP	1	4,8	2,3,5
LOW STD	1,3,8	2,4,5	-
LOW OPP	1,3,5	2,4,8	-

- NOTES:
1. STANDARD ROTATION IS CCW FACING END OPPOSITE SHAFT EXTENSION.
  2. OPTIONAL THERMOSTAT IS PROVIDED WHEN SPECIFIED.
  3. MULTIPLE CAPACITORS ARE CONNECTED IN PARALLEL UNLESS OTHERWISE SPECIFIED.
  4. LEAD COLORS ARE OPTIONAL. LEADS MUST ALWAYS BE NUMBERED AS SHOWN.

REV. DESC: REVISE TO SHOW OPTIONAL COLORS			
REV. LTR: D	BY: JLP	REVISED: 04/08/99 1:17	TDR: 0178636
990000		FILE: AAA00007414	MDL: -
		MTL: -	

**BALDOR ELECTRIC Co.**

TYPE LC, DV, REV, 6 LEADS

CD0055